

EC type-examination certificate UK/0126/0173

Issued by:

The National Measurement Office
Notified Body Number 0126

In accordance with the requirements of the Measuring Instruments (Automatic Catchweighers) Regulations 2006 (SI 2006/1257) and the Measuring Instruments (Non-Prescribed Instruments) Regulations 2006 (SI 2006/1270) which implement, in the United Kingdom, Council Directive 2004/22/EC, this EC type-examination certificate has been issued to:

Dini Argeo S.r.l.
Via della Fisica 20
41042 Spezzano di Fiorano
Modena
Italy

In respect of a family of automatic catchweighing instruments utilising the 3590E Series and CPWE Series indicators, and having the following characteristics:

Maximum number of scale intervals $\leq 10,000$
Accuracy class: XIII(1)

The necessary data (principal characteristics, alterations, securing, functioning etc) for identification purposes and conditions (when applicable) are set out in the descriptive annex to this certificate.

Issue Date: 22 September 2014
Valid Until: 21 September 2024
Reference No: TS0101/0030



Signatory: G Stones
for Chief Executive

National Measurement Office | Stanton Avenue | Teddington | TW11 0JZ | United Kingdom
Tel +44 (0)20 8943 7272 | Fax +44 (0)20 8943 7270 | Web www.gov.uk/nmo
The NMO is an Executive Agency of the Department for Business, Innovation and Skills



Descriptive Annex

1 INTRODUCTION

The instruments operate as automatic checkweighers (Category X), and are designed to weigh packs statically.

The instruments may operate dynamically; this mode of operation is not covered by this certificate.

The instruments comprise a weight indicator, a weighing platform, one or more controller, sensors and mechanical handling facilities. Figure 1 shows a typical configuration.

2 DESCRIPTION

2.1 Configuration

The weight indicator may be any model of the 3590 Series (Figure 2), or CPWE Series (Figure 3), as described in EC Test Certificate GB-1461.

The indicator is connected to a weighing platform, which may be part of a conveyor. Any number of in-feed and out-feed conveyors may be used. The type and size of transport system is not restricted under this certificate.

Sensors are used to detect the pack position; one or more controller may be used to manage the pack flow.

The indicator captures the static weight when the pack is stable (stop and go weighing).

Reject devices or labellers may be used.

2.2 Load cell

Any compatible load cell(s) may be used providing the following conditions are met:

- There is a respective OIML Certificate of Conformity (R60) or a test certificate (EN: 45501) issued for the load cell by a Notified Body responsible for type examination under Directive 2009/23/EC.
- The certificate contains the load cell types and the necessary load cell data required for the manufacturer's declaration of compatibility of modules (WELMEC 2, Issue 5, 2009, No 11), and any particular installation requirements. A load cell marked NH is allowed only if humidity testing to EN45501 has been conducted on this load cell.
- The compatibility of the load cells and indicator is established by the manufacturer by means of the compatibility of modules calculation, contained in the above WELMEC 2 document, at the time of verification or declaration of EC conformity of type.
- The load cell transmission must conform to one of the examples shown in the WELMEC Guide 2.4, "Guide for Load cells".

2.4 Devices

The instruments are provided with the devices listed in EC Test Certificate GB-1461.

In addition, the instruments are provided with:

- Automatic zero-setting after time interval (≤ 205 min)
- Batch identification (date/time for start/end)
- Average weight calculation
- Standard deviation calculation

3 TECHNICAL DATA

The weight indicators are fully described in EC Test Certificate GB-1461.

4 SOFTWARE

4.1 Security

The software is held on the Flash Memory and cannot be modified by the user. The calibration and legally relevant parameters are protected via physical or software means.

A jumper located on the main board prevents all access to the legally relevant parameters.

Alternatively, software sealing may be used to protect the calibration and legally relevant parameters. Two non-editable counters, designated CAL and CONFIG, are incremented each time the calibration and legally relevant parameters respectively are modified, with access to these parameters being password-protected. The counters' values can be display via the user menu.

4.2 Software identification

The software identification is fully described in the user manual, and can be displayed at power up or via the software menu.

The legally relevant software is identified by two parts: **prefix/version**.

The **prefix** shows the instrument model and shall be 01.

The **version** shows the legally relevant software version shall be 01.

The **prefix/version** may be followed by a suffix indicating the software program version and other options installed which may be freely modified.

Since the code may be longer than the digits available on the display, it is shown in two parts.

The software complies with Welmec Guide 7.2 (Issue 5), Risk class B, Type P, Extension L and T.

5 PERIPHERAL DEVICES AND INTERFACES

5.1 Interfaces

The instrument may have the following interfaces:

- 4 or 6-wire load cell connection
- DC voltage input
- RS-232
- RS-485
- Control inputs/outputs
- USB
- Ethernet
- Bluetooth
- Optoisolated inputs
- Photomosfet outputs
- SENOR (Digital in)
- RF (radio frequency)
- WiFi
- Anologue ouput and input
- Profibus
- Profinet
- DevicNet

- CANopen
- Ethercat

5.2 Peripheral devices

The instrument may be connected to any peripheral device that has been issued with a test certificate or parts certificate by a Notified Body responsible for Annex B (MI-006) under Directive 2004/22/EC in any Member State and bears the CE marking of conformity to the relevant directives; or

A peripheral device without a test certificate may be connected under the following conditions:

- it bears the CE marking for conformity to the EMC Directive;
- it is not capable of transmitting any data or instruction into the weighing instrument, other than to release a printout, checking for correct data transmission or validation;
- it prints weighing results and other data as received from the weighing instrument without any modification or further processing; and
- it complies with the applicable requirements of Paragraph 8.1 of Annex I.

6 APPROVAL CONDITIONS

The certificate is issued subject to the following conditions:

6.1 Legends and inscriptions

The instrument bears the following legends:

- 'CE' marking
- Supplementary metrology marking
- Notified body identification number
- Accuracy class
- Serial number
- Type designation
- Manufacturers mark or name
- Certificate number
- Maximum pack rate (packs per minute)
- Power supply
- Pneumatic pressure
- Climatic environment (“-10 °C to + 40 °C, closed, non-condensing”)
- EM environment (“E2”)

6 LOCATION OF SEALS AND VERIFICATION MARKS

6.1 The ‘CE’ marking, supplementary metrology marking and certificate number are located on or near the indicator; they shall be clearly visible to the user. The CE mark shall be impossible to remove without damaging it. The data plate shall be impossible to remove without it being destroyed.

6.2 The markings and inscriptions shall fulfil the requirements of Paragraph 9 of Annex I of the Directive 2004/22/EC.

6.3 Swapping of Flash Memory and access to the legally relevant parameters is prevented by sealing the jumper located on the main board by a tamper-evident label bearing a securing mark.

The securing mark may be either:

- a mark of the manufacturer and/or manufacturer's representative, or
- an official mark of a verification officer.

6.4 The instrument shall be fitted with a level indicator or be permanently installed.

7 ALTERNATIVES

There are currently no authorised alternatives.

8 ILLUSTRATIONS

Figure 1 Typical configuration
Figure 2 3590 Series model
Figure 3 CPWE Series model

9 CERTIFICATE HISTORY

ISSUE NO.	DATE	DESCRIPTION
UK/0126/0173	22 September 2014	Type examination certificate first issued.
-	-	No revisions have been issued.

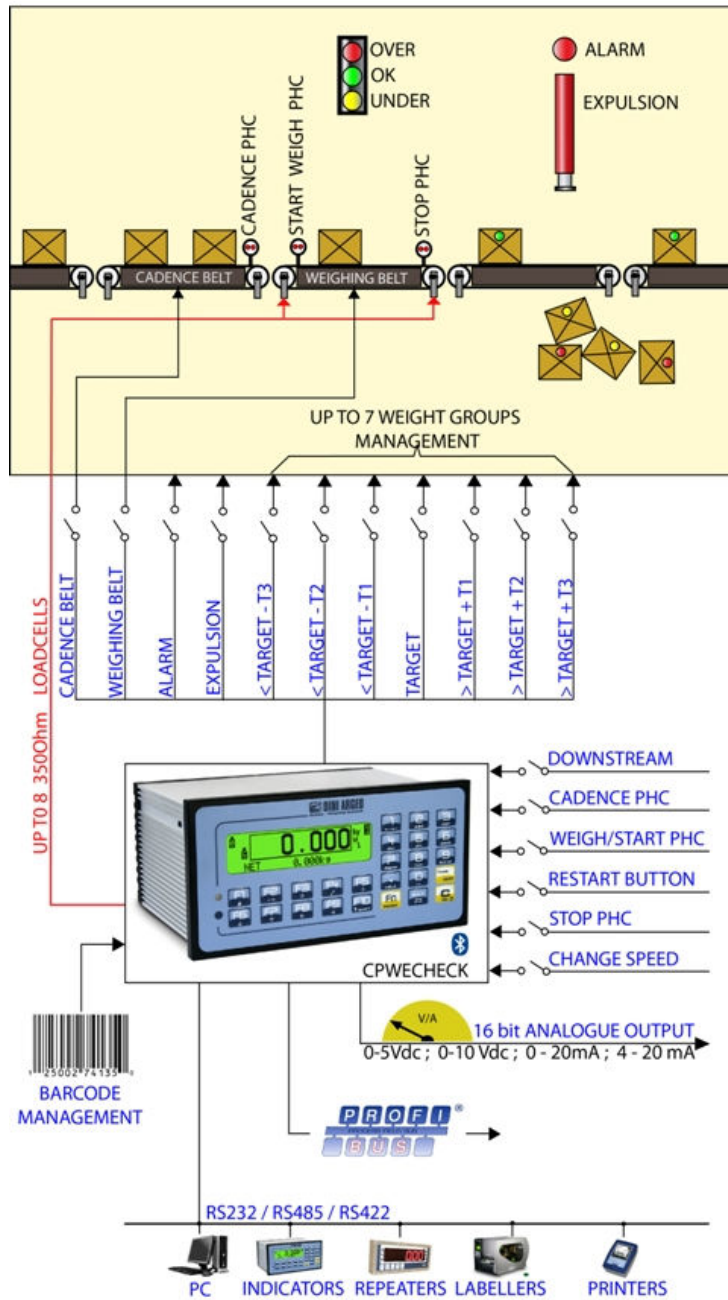


Figure 1 Typical configuration



Figure 2 3590 Series model



Figure 3 CPWE Series model.